

DIAGRAM FOR CONSOLIDATED TITLE

<p><u>COMPONENTS</u></p> <ol style="list-style-type: none"> 1. The figure C D E q C represents PORTION 869 of the farm LOSKOP NOORD No. 12 - JS Vide Diagram S.G No. A 1953/1983 Deed of Transfer No. T 20188/1986 in Extent 125,0004 Hectares. 2. The figure q F r B q represents PORTION 870 of the farm LOSKOP NOORD No. 12 - JS Vide Diagram S.G No. A 1954/1983 Deed of Transfer No. T 20190/1986 in Extent 95,0005 Hectares. 3. The figure G H L r G represents PORTION 876 of the farm LOSKOP NOORD No. 12 - JS Vide Diagram S.G No. A 1960/1983 Deed of Transfer No. T 49306/1988 in Extent 96,5403 Hectares. 4. The figure J K L H J represents PORTION 877 of the farm LOSKOP NOORD No. 12 - JS Vide Diagram S.G No. A 1961/1983 Deed of Transfer No. T 10666/1987 in Extent 104,9998 Hectares. 5. The figure A L M N P A represents PORTION 1 of the farm ROOIBOSKLOOF No. 1199 - JS Vide Diagram S.G No. Deed of Transfer No. T in Extent 385,3505 Hectares. <p align="center">The figure A B C D E F G H J K L M N P A represents 806,8915 hectares of land being the farm <u>KAMANJAB No. 1007 - JS</u></p> <p>LIMPOPO PROVINCE Compiled in November 2013 by me</p>	<p align="center">S.G. No.</p> <p align="center">Approved</p> <p align="center">for SURVEYOR GENERAL</p>	
	<p align="center">SHEET 1 OF 2</p>	
	<p align="center">PRESCRIBED IN TERMS OF ACT 70/1970 CONSENT No. 47888</p>	
<p>This diagram is annexed to No.</p> <p>Registrar of Deeds Pretoria</p>	<p>The original diagrams are listed above.</p>	<p>File No. S.R. No.</p> <p>Comp. JSNM 22,23,24,41</p>



M.P.A. COETSEE PLS0105
Professional Land Surveyor

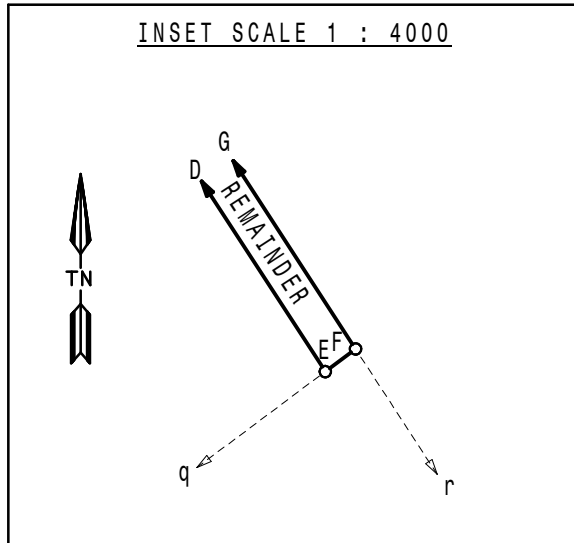
DIAGRAM FOR CONSOLIDATED TITLE

KAMANJAB No. 1007 - JS

S.G. No.

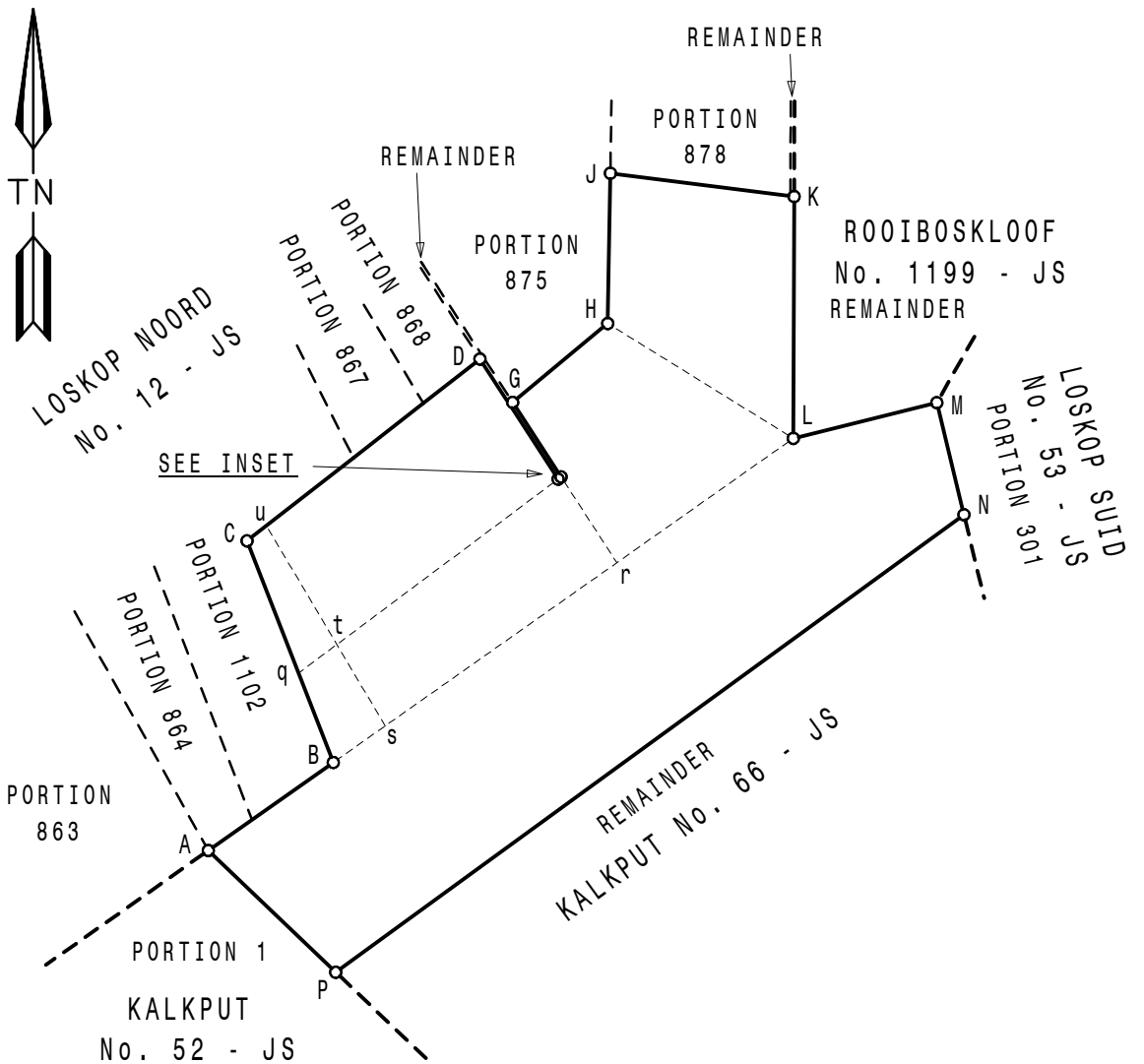
Approved

for
SURVEYOR
GENERAL



SCALE 1 : 40000

SHEET 2 OF 2



LIMPOPO PROVINCE
Compiled in November 2013 by me

M.P.A. Coetsee
M.P.A. COETSEE PLS0105
Professional Land Surveyor